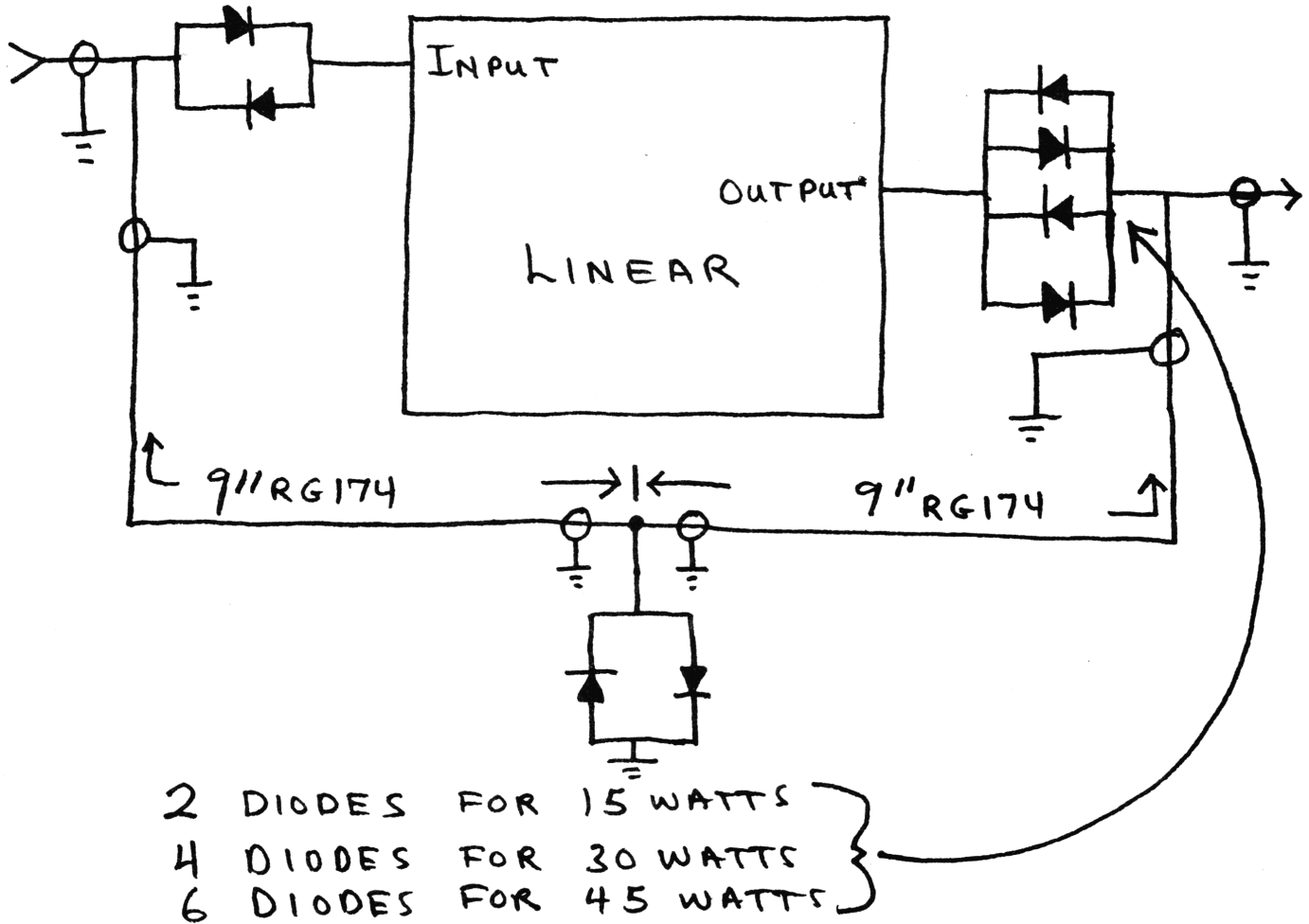


EXAMPLE: To have frequencies of Column 1, remove leads from Loc-Distance switch as per previous paragraph. Take RED wire (2<sup>5</sup>) from PLL terminal and wire it to the center terminal on switch. Add lead from local position on switch to PLL terminal 2<sup>5</sup>. In local position channels 1-23 are normal. In the distance position channels 1-7 are the ones in column 1.

\*\*\*\*\*

### RELAY-LESS LINEAR SWITCHING FOR AM & SSB



ALL DIODES  
IN 914