

INSTRUCTION SHEET FOR
SUPER EARS
KIT FITS PRESIDENT GRANT
(RF GAIN CONTROL KIT)

*THIS IS NOT A PRODUCT OF PRESIDENT RADIO. ALSO ANY MODIFICATIONS OF YOUR RADIO MAY VOID WARRANTY.

- STEP A Remove top and bottom covers.
- STEP 1 Remove front panel be removing two screws on each and all knobs.
- STEP 2 Remove nut off dimmer control and unsolder orange, green and white wires. Discard control and install new volume pot 100K ohm (supplied) in its place. (THIS WILL BE THE NEW RF GAIN CONTROL.)
- STEP 3 Turn radio upside down and locate PC board (PC-220AA) on which the local distance NB; PA & CB are mounted on. Cut the pink-white and orange-white wires away from the switch connector. See Fig. A.
- STEP 4 Pull plug up off connector. Bend down 1st three male contacts on left side. See Fig. A.
- STEP 5 Then replace plug on connector.
- STEP 6 Connect white wire to terminal where pink/white wire was. Connect green wire to second terminal where orange/white wire was. Connect orange wire to third terminal.
- STEP 7 Solder 50K trimer resistor (supplied) between 1st and 3rd wires. Adjust control to desired DIMNESS with the switch button "in". With switch out (DX POS.) you will have maximum brightness.
- STEP 8 Solder ground wire from PC board ground to 3rd pin on 100K (NEW RF GAIN) control. Solder orange/white wire to center terminal (PIN.2) Solder pink/white wire to 1st pin or top pin look down into CB with CB right side up. See Fig. B.
- STEP 9 Replace front panel, screws and knobs. Replace top and bottom covers.

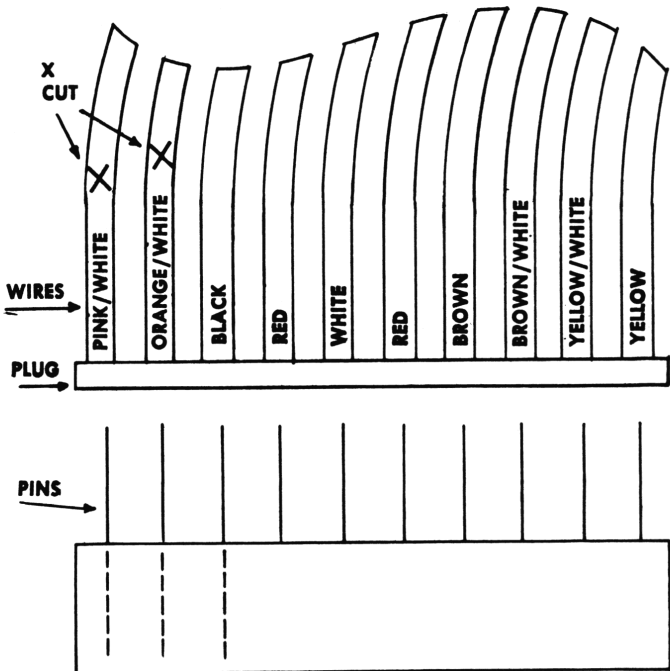


FIG. A

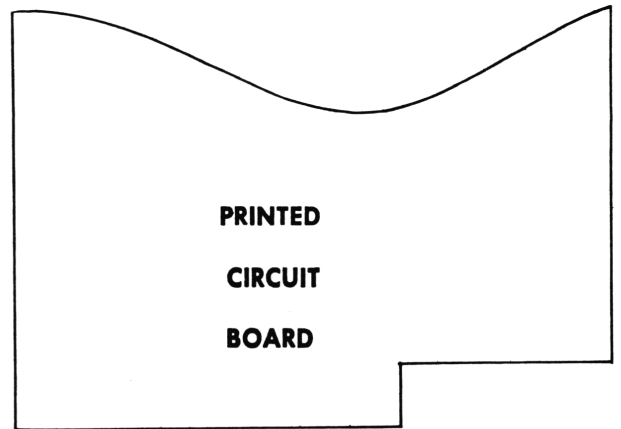
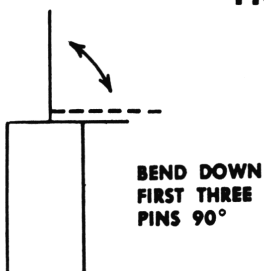


FIG. B

