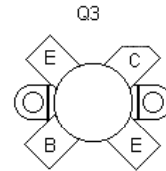
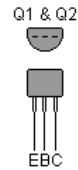


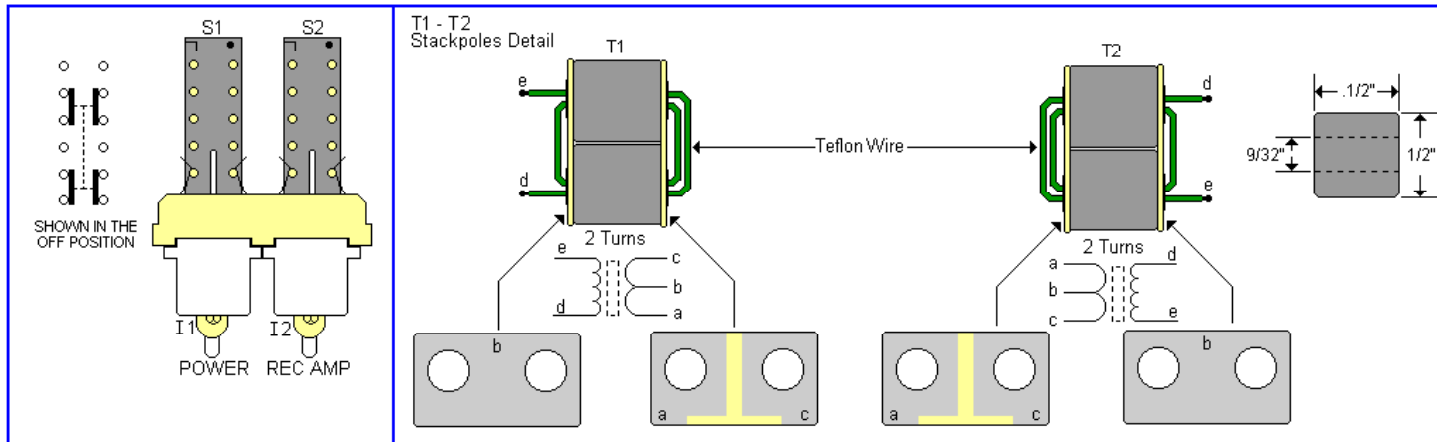
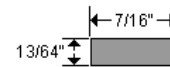
Aromat
12T-12V-9-H1
Coil 12Vdc 185ohm
1A @ 125vac
2A @ 28vdc

NOTE:

1. The wire colors used in this diagram will vary from the amp. Also the wire color will vary from amp to amp.
2. The component type will vary from amp to amp see text for more information.
3. This diagram is based on current production (2001) out of Texas Star.



=FB1 - FB2 Detail



Texas Star Modulator V Plus Amp
After Conversion
CBTricks.com
Rev. # 1.1
Copyright © 2001, CBTricks.com All Rights Reserved
Sep. 2001