

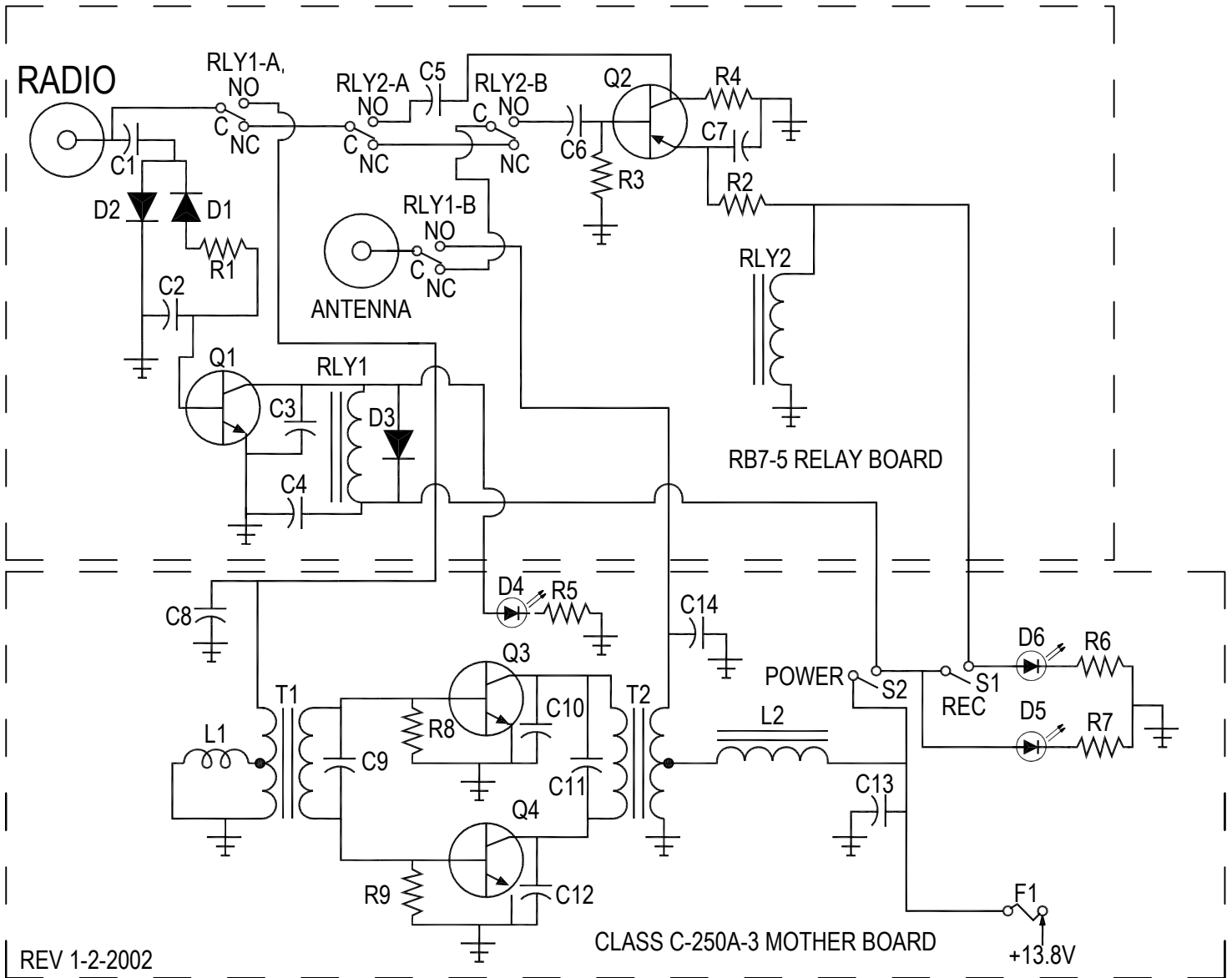
# Messenger Class C-Model 250

## RB7-5 RELAY BOARD

- R1-6.8K  $\frac{1}{4}$  Watt Carbon Film Resistor
- R2-470  $\frac{1}{4}$  Watt Carbon Film Resistor
- R3-3.3M  $\frac{1}{4}$  Watt Carbon Film Resistor
- R4-1K  $\frac{1}{4}$  Watt Carbon Film Resistor
- C1-5pF Disc Cerramic Capacitor
- C2-.01uF Disc Cerramic Capacitor
- C3-.01uF Disc Cerramic Capacitor
- C4-.01uF Disc Cerramic Capacitor
- C5-150pF Disc Cerramic Capacitor
- C6-150pF Disc Cerramic Capacitor
- C7-.01uF Disc Cerramic Capacitor
- D1-1N4148 Diode
- D2-1N4148 Diode
- D3-1N4148 Diode
- Q1-2N3904 Transistor
- Q2-2N3906 Transistor
- RLY1-DPDT 2 Amp Relay
- RLY2-DPDT 2 Amp Relay

## CLASS C-250A MOTHER BOARD

- R5-1K  $\frac{1}{4}$  Watt Carbon Film Resistor
- R6-1K  $\frac{1}{4}$  Watt Carbon Film Resistor
- R7-1K  $\frac{1}{4}$  Watt Carbon Film Resistor
- R8-10  $\frac{1}{2}$  Watt Carbon Film Resistor
- R9-10  $\frac{1}{2}$  Watt Carbon Film Resistor
- C8-100pF Disc Cerramic Capacitor
- C9-.001uF Polyester Film Capacitor
- C10-100pF Disc Cerramic Capacitor
- C11-1000pF DM19 Dipped Mica Capacitor
- C12-100pF Disc Cerramic Capacitor
- C13-.01uF Disc Cerramic Capacitor
- C14-75pF DM15 Dipped Mica Capacitor
- D4-LED T1
- D5-LED T1
- D6-LED T1
- F1-AGC20 Amp Fuse
- L1-22uH Inductor
- L2-RF Beads
- Q3-SD1446 Thomson Transistor
- Q4-SD1446 Thomson Transistor
- S1-SPST Switch (REC ON/OFF)
- S2-SPST Switch (PWR ON/OFF)
- T1-4 Turn Transformer  $\frac{1}{4}$  Inch Long
- T2-4 Turn Transformer  $\frac{1}{2}$  Inch Long
- DC Cable-#14 Red PVC
- DC Cable-#14 Black PVC



REV 1-2-2002

CLASS C-250A-3 MOTHER BOARD

+13.8V

CBT