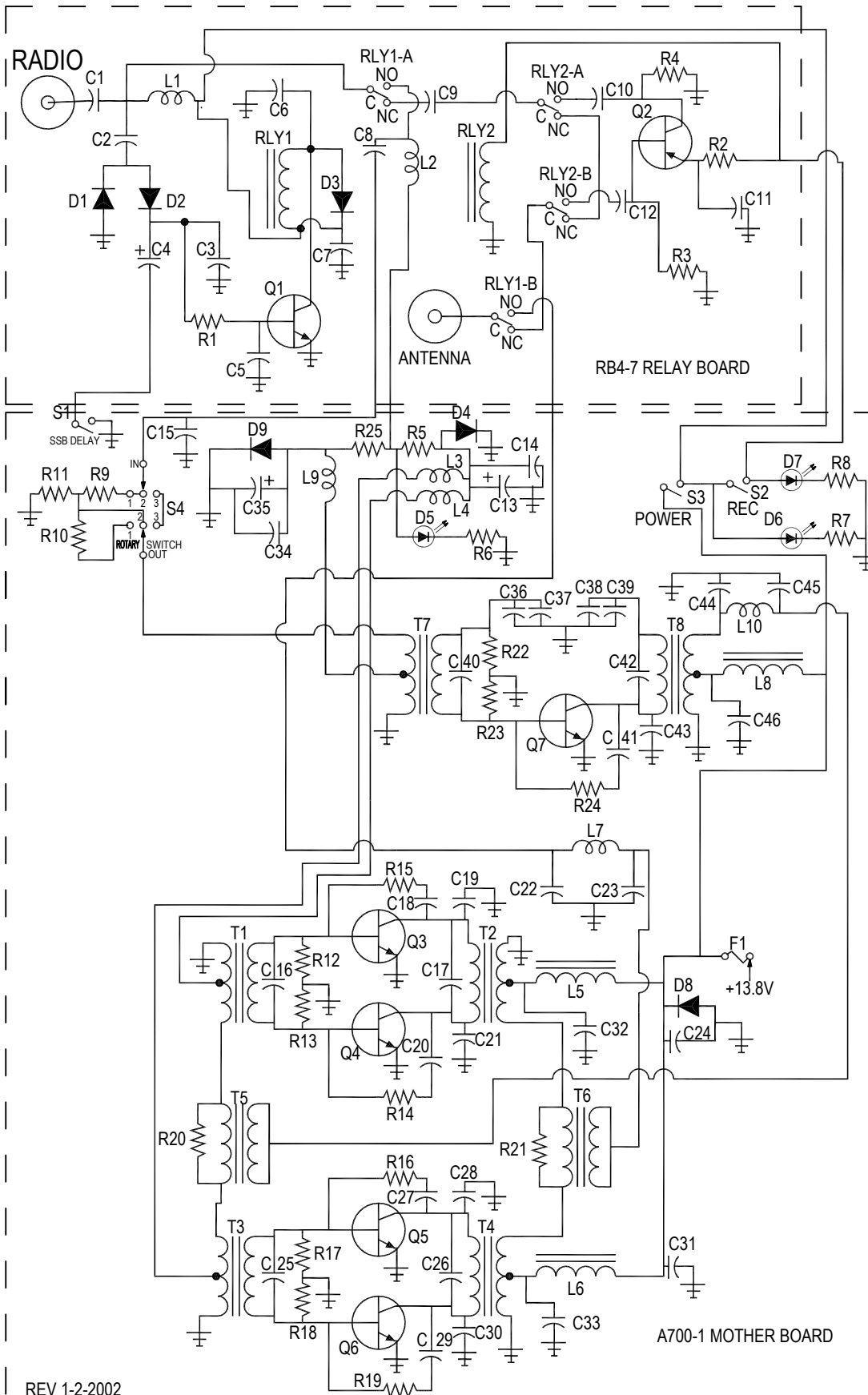


Messenger Class AB1-Model 500



RB4-7 RELAY BOARD

- R1-6.8K $\frac{1}{4}$ Watt Carbon Film Resistor
- R2-470 $\frac{1}{4}$ Watt Carbon Film Resistor
- R3-3.3M $\frac{1}{4}$ Watt Carbon Film Resistor
- R4-1K $\frac{1}{4}$ Watt Carbon Film Resistor
- C1-.01uF Disc Cerramic Capacitor
- C2-5pF Disc Cerramic Capacitor
- C3-.01uF Disc Cerramic Capacitor
- C4-10uF/25V Electrolytic Capacitor
- C5-.01uF Disc Cerramic Capacitor
- C6-.01uF Disc Cerramic Capacitor
- C7-.01uF Disc Cerramic Capacitor
- C8-.01uF Disc Cerramic Capacitor
- C9-.01uF Disc Cerramic Capacitor
- C10-150pF Disc Cerramic Cap
- C11-.01uF Disc Cerramic Cap
- C12-150pF Disc Cerramic Cap
- D1-1N4148 Diode
- D2-1N4148 Diode
- D3-1N4148 Diode
- L1-22uH Inductor
- L2-22uH Inductor
- Q1-2N3904 Transistor
- Q2-2N3906 Transistor
- RLY1-DPDT 5 Amp Relay
- RLY2-DPDT 2 Amp Relay

A700-1 MOTHER BOARD

- R5-40 $\frac{1}{4}$ 10 Watt Wire Wound Resistor
- R6-1K $\frac{1}{4}$ Watt Carbon Film Resistor
- R7-1K $\frac{1}{4}$ Watt Carbon Film Resistor
- R8-1K $\frac{1}{4}$ Watt Carbon Film Resistor
- R9-15 $\frac{1}{2}$ Watt Carbon Film Resistor
- R10-39 $\frac{1}{2}$ Watt Carbon Film Resistor
- R11-82 $\frac{1}{2}$ Watt Carbon Film Resistor
- R12-10 $\frac{1}{4}$ Watt Carbon Film Resistor
- R13-10 $\frac{1}{4}$ Watt Carbon Film Resistor
- R14-100 $\frac{1}{2}$ Watt Carbon Film Resistor
- R15-100 $\frac{1}{2}$ Watt Carbon Film Resistor
- R16-100 $\frac{1}{2}$ Watt Carbon Film Resistor
- R17-10 $\frac{1}{4}$ Watt Carbon Film Resistor
- R18-10 $\frac{1}{4}$ Watt Carbon Film Resistor
- R19-100 $\frac{1}{2}$ Watt Carbon Film Resistor
- R20-100 $\frac{1}{2}$ Watt Carbon Film Resistor
- R21-100 $\frac{1}{2}$ Watt Carbon Film Resistor
- R22-10 $\frac{1}{4}$ Watt Carbon Film Resistor
- R23-10 $\frac{1}{4}$ Watt Carbon Film Resistor
- R24-100 $\frac{1}{2}$ Watt Carbon Film Resistor
- R25-90 $\frac{1}{2}$ Watt Wire Wound Resistor
- C13-100uF/25V Electrolytic Capacitor
- C14-.01uF Disc Cerramic Capacitor
- C15-50pF DM15 Dipped Mica Capacitor
- C16-680pF DM15 Dipped Mica Capacitor
- C17-1000pF DM19 Dipped Mica Capacitor
- C18-.01uF Disc Cerramic Capacitor
- C19-100pF DM15 Dipped Mica Capacitor
- C20-.01uF Disc Cerramic Capacitor
- C21-100pF DM15 Dipped Mica Capacitor
- C22-75pF DM15 Dipped Mica Capacitor
- C23-65pF to 200pF Variable Trimmer Cap
- C24-.01uF Disc Cerramic Capacitor
- C25-680pF DM15 Dipped Mica Capacitor
- C26-1000pF DM19 Dipped Mica Capacitor
- C27-.01uF Disc Cerramic Capacitor
- C28-100pF DM15 Dipped Mica Capacitor
- C29-.01uF Disc Cerramic Capacitor
- C30-100pF DM15 Dipped Mica Capacitor
- C31-.01uF Disc Cerramic Capacitor
- C32-.01uF Disc Cerramic Capacitor
- C33-.01uF Disc Cerramic Capacitor
- C34-.01uF Disc Cerramic Capacitor
- C35-100uF/25V Electrolytic Capacitor
- C36-.01uF Disc Cerramic Capacitor
- C37-.01uF Disc Cerramic Capacitor
- C38-.01uF Disc Cerramic Capacitor
- C39-.01uF Disc Cerramic Capacitor
- C40-500pF DM15 Dipped Mica Capacitor
- C41-.01uF Disc Cerramic Capacitor
- C42-330pF DM15 Dipped Mica Capacitor
- C43-100pF DM15 Dipped Mica Capacitor
- C44-100pF DM15 Dipped Mica Capacitor
- C45-75pF DM15 Dipped Mica Capacitor
- C46-.01uF Disc Cerramic Capacitor
- D4-1N4001 Diode
- D5-LED T1
- D6-LED T1
- D7-LED T1
- D8-1N5400 Diode
- D9-1N4001 Diode
- F1-AGU40 Amp Fuse
- L3-22uH Inductor
- L4-22uH Inductor
- L5-R F Beads
- L6-R F Beads
- L7-6 Turn Air Coil
- L8-R F Beads
- L9-22uH Inductor
- L10-6 Turn Air Coil
- Q3-2SC2879 Toshiba Transistor
- Q4-2SC2879 Toshiba Transistor
- Q5-2SC2879 Toshiba Transistor
- Q6-2SC2879 Toshiba Transistor
- Q7-SD1446 Thomson Transistor
- S1-SPST Switch (AM/SSB Delay)
- S2-SPST Switch (REC ON/OFF)
- S3-SPST Switch (PWR ON/OFF)
- S4-DP3T Rotary Switch
- T1-4 Turn Transformer $\frac{1}{2}$ Inch Long
- T2-4 Turn Transformer $\frac{1}{4}$ Inch Long
- T3-4 Turn Transformer $\frac{1}{2}$ Inch Long
- T4-4 Turn Transformer $\frac{1}{4}$ Inch Long
- T5-7 Turn Splitter
- T6-7 Turn Combiner 1" Diameter
- T7-4 Turn Transformer $\frac{1}{2}$ Inch Long
- T8-4 Turn Transformer 1 Inch Long
- DC Cable-#8 Red PVC
- DC Cable-#8 Black PVC